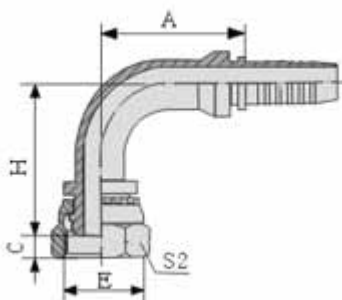


BSP



22191-90°BSP Female Swivel Sphere Seal

Material: low or medial Carbon steel

Surface treatment: trivalent or hexavalent chromium passivating Zinc (CR3+ or CR6+).

Inner packing: Plastic bag.

Outer packing: Standard exporting carton, seaworthy pallet.

Lutong is specialized in supply of hydraulic hose fittings with good quality and favorable price.

Technical Data

Part number	Screw Thread E	Hose bore		Dimensions			
		DN	Dash	A	C	H	S2
22191-02-04	G1/8 " x28	6	04	30	2	38.5	14
22191-04-03	G1/4 " x19	5	03	27	4	35	19
22191-04-04	G1/4 " x19	6	04	30	4	38.5	19
22191-04-05	G1/4 " x19	8	05	33	4	41.5	19
22191-06-05	G3/8 " x19	8	05	33	5	42	22
22191-06-06	G3/8 " x19	10	06	35.3	5	44.8	22
22191-06-08	G3/8 " x19	12	08	41	5	50	22
22191-08-08	G1/2 " x14	12	08	41	6	52	27
22191-08-10	G1/2 " x14	16	10	56.5	6	58	27
22191-10-10	G5/8 " x14	16	10	56.5	8	57.5	30
22191-10-12	G5/8 " x14	20	12	65.4	8	67	30
22191-12-10	G3/4 " x14	16	10	56.5	9.5	58.5	32
22191-12-12	G3/4 " x14	20	12	65.5	9.5	68	32
22191-16-14	G1 " x11	22	14	71.2	11	69.5	41
22191-16-16	G1 " x11	25	16	76.7	11	75	41
22191-20-20	G1.1/4 " x11	32	20	92.3	10	85.3	50

22191-24-24	G1.1/2 " x11	40	24	109.4	11.5	108	55
22191-32-32	G2 " x11	50	32	133.1	15	123.8	70