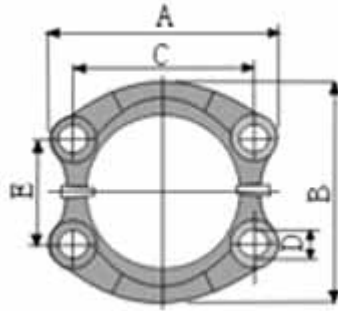


# Flange



## FS-SAE Split Flange Clamps 6000PSI ISO6162--SAEJ518

Material: low or medial Carbon steel.

Surface treatment: trivalent or hexavalent chromium passivating Zinc (CR3+ or CR6+).

Inner packing: Plastic bag.

Outer packing: Standard exporting carton, seaworthy pallet.

Lutong is specialized in supply of hydraulic hose fittings with good quality and favorable price.

### Technical Data

| PART NUMBER | FLANGE SIZE | DIMENSIONS |         |        |    |        | BOLT   | Pressure(Mpa) |
|-------------|-------------|------------|---------|--------|----|--------|--------|---------------|
|             |             | A          | B       | C      | D  | E      |        |               |
| FS-08       | 1/2°        | 56 . 3     | 49 . 2  | 40 . 5 | 9  | 18 . 2 | M8x30  | 42            |
| FS-12       | 3/4°        | 71 . 4     | 61 . 8  | 50 . 8 | 11 | 23 . 8 | M10x35 |               |
| FS-16       | 1°          | 81         | 71 . 4  | 57 . 2 | 13 | 27 . 8 | M12x45 |               |
| FS-20       | 1.1/4°      | 95 . 3     | 79 . 2  | 66 . 7 | 15 | 31 . 8 | M14x50 |               |
| FS-24       | 1.1/2°      | 112 . 8    | 96 . 8  | 79 . 4 | 17 | 36 . 6 | M16x55 |               |
| FS-32       | 2°          | 133 . 4    | 115 . 6 | 96 . 8 | 21 | 44 . 4 | M20x70 |               |

Note: Bolt should be ordered in addition.