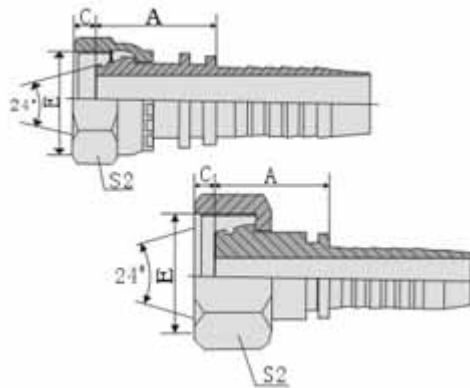


DIN



[2/30411-Metric Female Nut 24° Cone O-ring L.T. ISO 12151-2—DIN3865](#)

Material: low or medial Carbon steel.

Surface treatment: trivalent or hexavalent chromium passivating Zinc (CR3+ or CR6+).

Inner packing: Plastic bag.

Outer packing: Standard exporting carton, seaworthy pallet.

Lutong is specialized in supply of hydraulic hose fittings with good quality and favorable price.

Technical Data:

Part Number	Screw Thread E	Hose Bore		Tube O.D.	O Ring	Dimensions		
		DN	Dash			A	C	S1
20411-12-04	M12x1.5	6	04	6	o04.5x1.5	26	1	17
30411-14-04	M14x1.5	6	04	8	o06.5x1.5	27.5	2	19
30411-14-06	M14x1.5	10	06	8	o06.5x1.5	27.5	2	19
30411-16-04	M16x1.5	6	04	10	o08.0x1.5	28	2	22
30411-16-05	M16x1.5	8	05	10	o08.0x1.5	28	2	22
30411-16-06	M16x1.5	10	06	10	o08.0x1.5	28	2	22
30411-18-05	M18x1.5	8	05	12	o10.0x1.5	27.5	1.8	22
30411-18-06	M18x1.5	10	06	12	o10.0x1.5	29	2.5	24
30411-18-08	M18x1.5	12	08	12	o10.0x1.5	29.5	2.5	24
30411-22-05	M22x1.5	8	05	15	o12.0x2.0	29.5	2.1	27
30411-22-06	M22x1.5	10	06	15	o12.0x2.0	29	2.5	27
30411-22-08	M22x1.5	12	08	15	o12.0x2.0	32	2.5	27
30411-26-10	M26x1.5	16	10	18	o15.0x2.0	35	2.5	32
30411-26-12	M26x1.5	20	12	18	o15.0x2.0	35	2.5	32

30411-27-10	M27×1.5	16	10	18	o15.0×2.0	28	2.5	32
30411-27-12	M27×1.5	20	12	18	o15.0×2.0	35	2.5	32
30411-30-10	M30×2	16	10	22	o20.0×2.0	35	4	36
30411-30-12	M30×2	20	12	22	o20.0×2.0	38	4	36
30411-36-12	M36×2	20	12	28	o26.0×2.0	35	4	41
30411-36-14	M36×2	22	14	28	o26.0×2.0	36	4	41
30411-45-16	M45×2	25	16	35	o32.0×2.5	41	5	55
30411-45-20	M45×2	32	20	35	o32.0×2.5	42	5	55
30411-52-20	M52×2	32	20	42	o38.0×2.5	44	5.5	60
30411-52-24	M52×2	40	24	42	o44.5×1.5	44	5.5	60