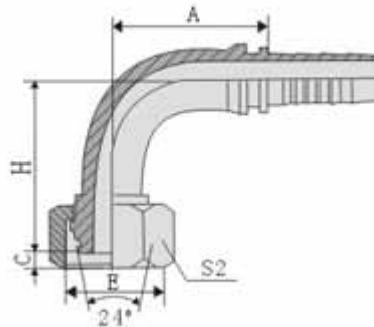


# DIN



## 30541-90°Metric Female Nut 24° Cone O-Ring H.T. ISO 12151-2—DIN3865

Material: low or medial Carbon steel.

Surface treatment: trivalent or hexavalent chromium passivating Zinc (CR3+ or CR6+).

Inner packing: Plastic bag.

Outer packing: Standard exporting carton, seaworthy pallet.

Lutong is specialized in supply of hydraulic hose fittings with good quality and favorable price.

### Technical Data:

Part Number	Screw Thread E	Hose Bore		Tube O.D.	O Ring	Dimensions			
		DN	Dash			A	C	H	S2
30541-14-04	M14×1.5	6	04	6	o04.5×1.5	30	1.1	47.5	19
30541-16-04	M16×1.5	6	04	8	o06.5×1.5	30	1.5	48	22
30541-16-05	M16×1.5	8	05	8	o06.5×1.5	33	1.5	51	22
30541-18-05	M18×1.5	8	05	10	o08.0×1.5	33	2	41.5	22
30541-18-06	M18×1.5	10	06	10	o08.0×1.5	35.3	2	52.8	24
30541-20-06	M20×1.5	10	06	12	o10.0×1.5	35.8	2.5	46.3	24
30541-20-08	M20×1.5	12	08	12	o10.0×1.5	41	2.5	61	27
30541-22-06	M22×1.5	10	06	14	o11.0×2.0	35.3	2.5	46.8	27
30541-22-08	M22×1.5	12	08	14	o11.0×2.0	41	2.5	61	27
30541-24-08	M24×1.5	12	08	16	o13.0×2.0	41	3	53	30
30541-24-10	M24×1.5	16	10	16	o13.0×2.0	56.5	2.5	67.5	30
30541-30-10	M30×2	16	10	20	o16.3×2.4	56.5	3	60.5	36
30541-30-12	M30×2	20	12	20	o16.3×2.4	65.5	3	81	36

30541-36-12	M36x2	20	12	25	o20.3x2.4	66.2	3	70	41
30541-36-14	M36x2	22	14	25	o20.3x2.4	71.2	3	71	41
30541-42-16	M42x2	25	16	30	o25.3x2.4	78	5	77.5	50
30541-52-20	M52x2	32	20	38	o33.3x2.4	93	6.5	89	60
30541-52-24	M52x2	40	24	38	o33.3x2.4	109.4	6.5	103	60