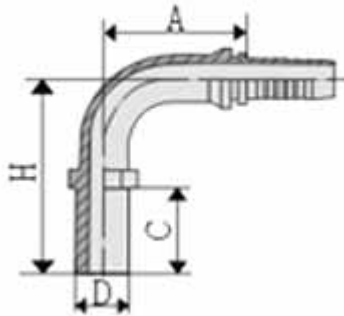


# DIN



## 50091-90° Metric Standpipe Straight DIN 2353

Material: low or medial Carbon steel.

Surface treatment: trivalent or hexavalent chromium passivating Zinc (CR3+ or CR6+).

Inner packing: Plastic bag.

Outer packing: Standard exporting carton, seaworthy pallet.

Lutong is specialized in supply of hydraulic hose fittings with good quality and favorable price.

### Technical Data:

Part Number	Tube O.D.	Hose Bore		Dimensions			Note
		DN	Dash	A	H	C	
50091-06-03	6	5	03	26.5	45	22	L . T . series
50091-06-04	6	6	04	30	48	22	
50091-08-05	8	8	05	34	55.5	24	
50091-08-06	8	10	06	35.8	57.8	24	
50091-10-05	10	8	05	34	53	23	
50091-10-06	10	10	06	35.3	55.3	23	
50091-12-06	12	10	06	35.3	59.8	23	
50091-12-08	12	12	08	41	67	23	
50091-15-06	15	10	06	35.8	59.8	25	
50091-15-08	15	12	08	41	65	25	
50091-18-08	18	12	08	41	68.5	26	
50091-18-10	18	16	10	56.5	73	26	
50091-22-10	22	16	10	56.5	76.5	28	
50091-22-12	22	20	12	65.5	86	28	

50091-22-16	22	25	16	76.7	91.5	28	
50091-28-16	28	25	16	76.7	95.5	30	
50091-35-20	35	32	20	91.5	112.5	36	
50091-08-04	8	6	04	30	52.5	24	H . T. series
50091-10-04	10	6	04	30	53	26	
50091-12-04	12	6	04	30	57.5	26	
50091-12-05	12	8	05	33	60.5	26	
50091-14-06	14	10	06	35.3	63.8	29	
50091-14-08	14	12	08	41	69	29	
50091-14-12	14	20	12	66.2	83	29	
50091-16-08	16	12	08	42	73	30	
50091-16-10	16	16	10	56.5	77.5	30	
50091-20-10	20	16	10	56.5	84.5	36	
50091-20-12	20	20	12	65.5	95.5	36	
50091-25-12	25	20	12	65.5	98	40	
50091-25-16	25	25	16	76.7	103.5	40	
50091-30-16	30	25	16	78	109.5	44	
50091-30-20	30	32	20	91.5	120.5	44	
50091-38-16	38	25	16	76.7	115.5	50	
50091-38-20	38	32	20	91.5	126.5	50	