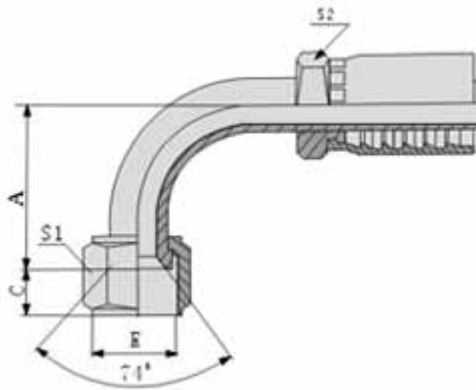


# JIC



## T36791-90° JIC Female Swivel 74° Cone Seat Union SAE J514

Material: low or medial Carbon steel.

Surface treatment: trivalent or hexavalent chromium passivating Zinc (CR3+ or CR6+).

Inner packing: Plastic bag.

Outer packing: Standard exporting carton, seaworthy pallet.

Lutong is specialized in supply of hydraulic hose fittings with good quality and favorable price.

### Technical Data

PART NUMBER	SCREW THREAD E	HOSE BORE		DIMENSIONS		
		DN	DASH	C	H	S2
26791-04-04	7/16°x20	6	04	9	33 . 5	15
26791-06-06	9/16°x18	10	06	10 . 5	39 . 3	19
26791-08-08	3/4°x16	12	08	11	47	24
26791-10-10	7/8°x14	16	10	13	52 . 5	27
26791-12-12	1 . 1/16°x12	20	12	15	63 . 5	32
26791-16-16	1 . 5/16°x12	25	12	16	70	41
26791-20-20	1 . 5/8°x12	32	20	17	80 . 5	50
26791-24-24	1 . 7/8°x12	40	24	20	94	55
26791-32-32	2 . 1/2°x12	50	32	23 . 5	121 . 8	75

Note:1. For use with braided hoses 2 . If use with spiral hoses. hose fitting series number is 26792x-xx.